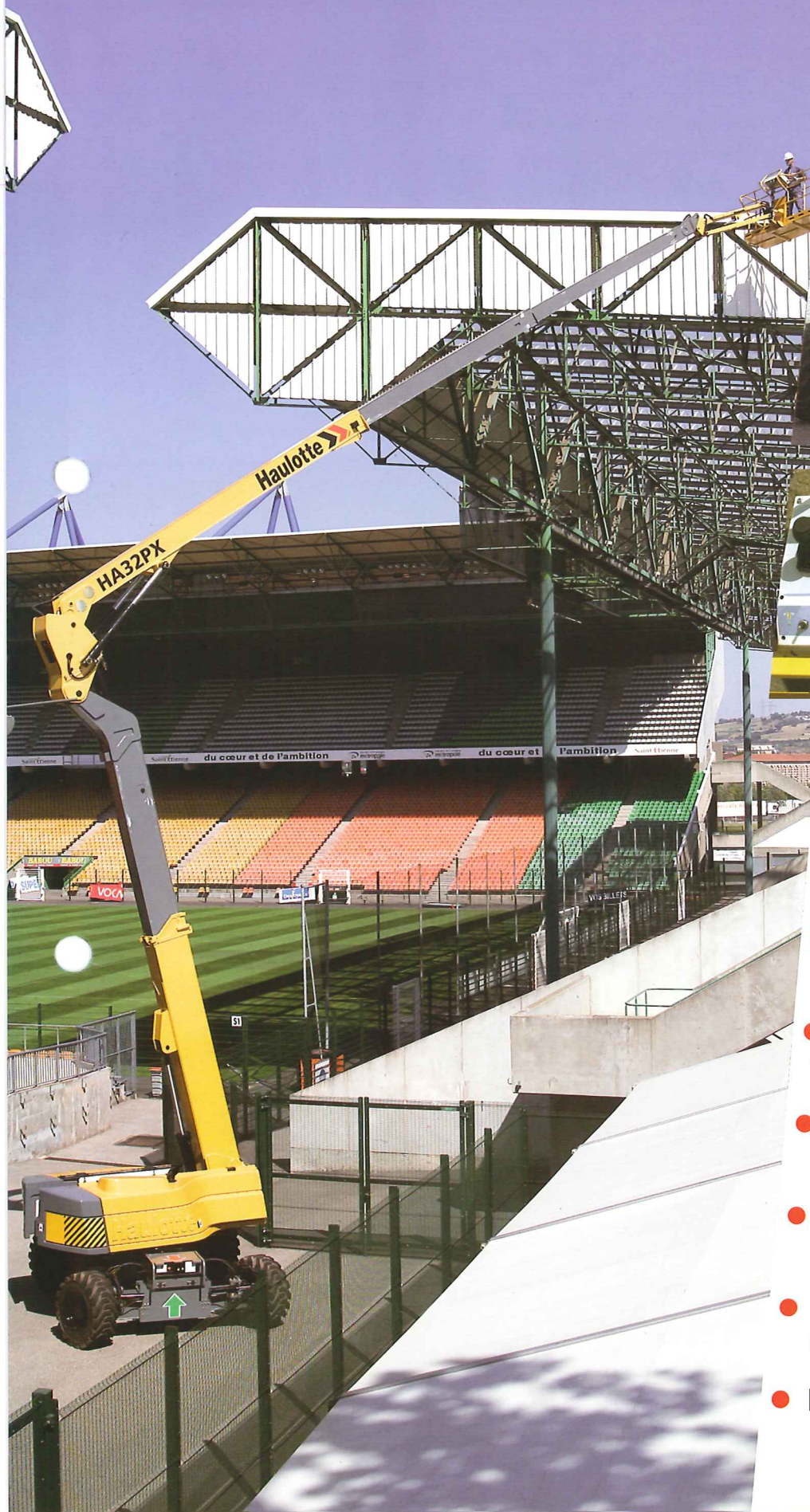


ARTICULATING BOOM

HA 32 PX



- Max. 69 ft 11 in (21.30 m) horizontal outreach.
- 37 ft 3 in (11.35 m) up and over clearance
- Standard 4 wheel drive and steer.
- 15 in (38 cm) ground clearance.
- Hydraulic differential lock.
- Extending axles.



HA 32 PX

Articulating Boom

The Haulotte® advantages

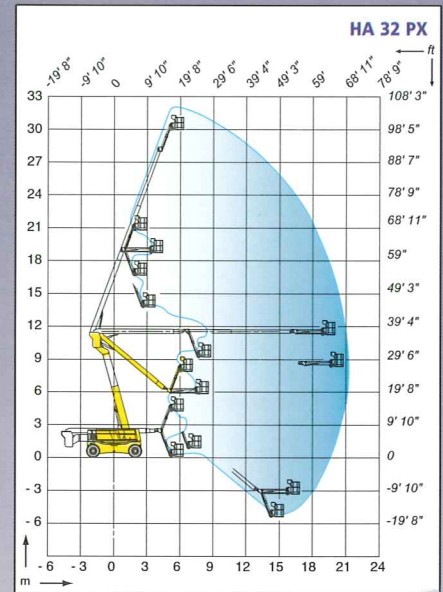
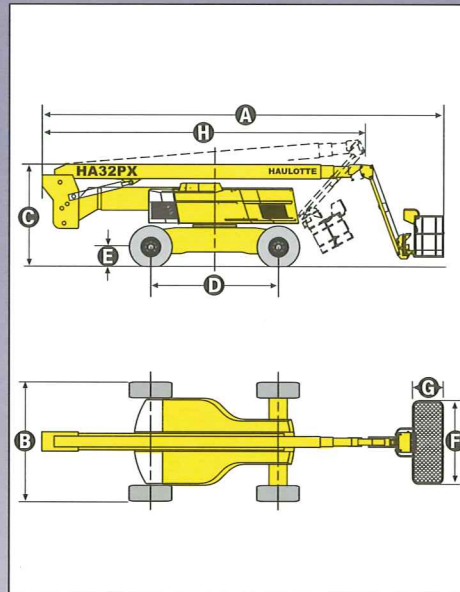
- 104 ft (32 m) working height
- 37 ft 3 in (11.35 m) up and over clearance
- Hydraulic differential lock and 15 in (38 cm) ground clearance for improved rough terrain capability
- Gradeability up to 45%
- Continuous 360° turntable rotation
- Full proportional controls and simultaneous boom functions improve functionality
- Load limiter in platform
- Improved working area through a positive/negative articulating fly jib with 140° movement
- 180° hydraulic platform rotation
- Robust, reliable and easy to maintain design

STANDARD FEATURES

- 4 wheel drive and steer
- 2 extending axles
- Oscillating axle
- Rotating engine tray for easier maintenance
- 5° tilt alarm
- 12 V battery / electrical control system
- Electric emergency group in cage
- Free wheeling device
- Hourmeter
- Slewing block pin
- Towing hooks
- Safe use in winds up to 37.2 mph

OPTIONS & ACCESSORIES

- On-board 3.3 kw generator
- 230 V / 115 V - 16 A power line from chassis to platform
- Hostile environment kit
- Biodegradable hydraulic oil
- Travel alarm
- Rotating beacon
- Working light
- Catalytic exhaust
- Encoded starting device



SPECIFICATIONS

HA 32 PX		
Working height	31.8 m	104 ft 12 in
Platform height	29.8 m	97 ft 9 in
Maximum outreach	21.30 m	69 ft 11 in
Up and over clearance	11.35 m	37 ft 3 in
Platform capacity	250 kg	551 lb
Fly jib range of motion	140° (+70° / -70°)	
A Length	11.20 m	36 ft 7 in
B Width	2.50 m	8 ft 2 in
Width (with extended axles)	3.33 m	10 ft 11 in
C Stowed height	2.70 m	8 ft 10 in
D Wheelbase	3.50 m	11 ft 6 in
E Ground clearance	38 cm	15 in
F X G Platform size	2.44 m x 0.8 m	96 in x 32 in
H Travel / transport length	8.90 m	29 ft 2 in
Travel / transport height	3.30 m	10 ft 10 in
Tailswing	0.50 m	1 ft 8 in
Drive speed	5 km/h	3.1 mph
Outside turning radius	5.10 m	16 ft 8 in
Turntable rotation (continuous)	360°	
Hydraulic platform rotation	180°	
Engine	Perkins Diesel 64 kW - 87 hp	
Gradeability	45%	
Tyres (foam filled)	445 / 65 - 22.5	
Hydraulic tank	196 l / 52 gal - 43.10 imp gal	
Fuel tank	140 l / 37 gal - 30.79 imp gal	
Weight	21 100 kg	46 118 lb

AS1418.10



HAULOTTE UK LTD • STAFFORD PARK 6 • TELFORD - SHROPSHIRE TF3 3AT • TEL: +44 (0)1952 292753 • FAX: +44 (0)1952 292758 • E-mail: haulotte@haulotte.co.uk
 HAULOTTE SCANDINAVIA AB • ARÖDS INDUSTRIVÄG 66 B • 422 43 HISINGS BACKA - SWEDEN • TEL: +46 31 744 32 90 • FAX: +46 31 744 32 99 • E-mail: hwallin@haulottese • www.haulottese
 HAULOTTE AUSTRALIA PTY LTD • 65 LICOLA CRES • DANDENONG - VIC - 3175 • TEL: +61 (0)3 9706 6787 • FAX: +61 (0)3 9706 6797 • E-mail: sales@haulotte.com.au
 HAULOTTE SINGAPORE PTE. LTD • 26 Changi North Road Way • SINGAPORE 498812 • TEL: +65 6536 3989 • FAX: +65 6536 3969 • E-mail: haulotteasia@haulotte.com

Haulotte 
GROUP